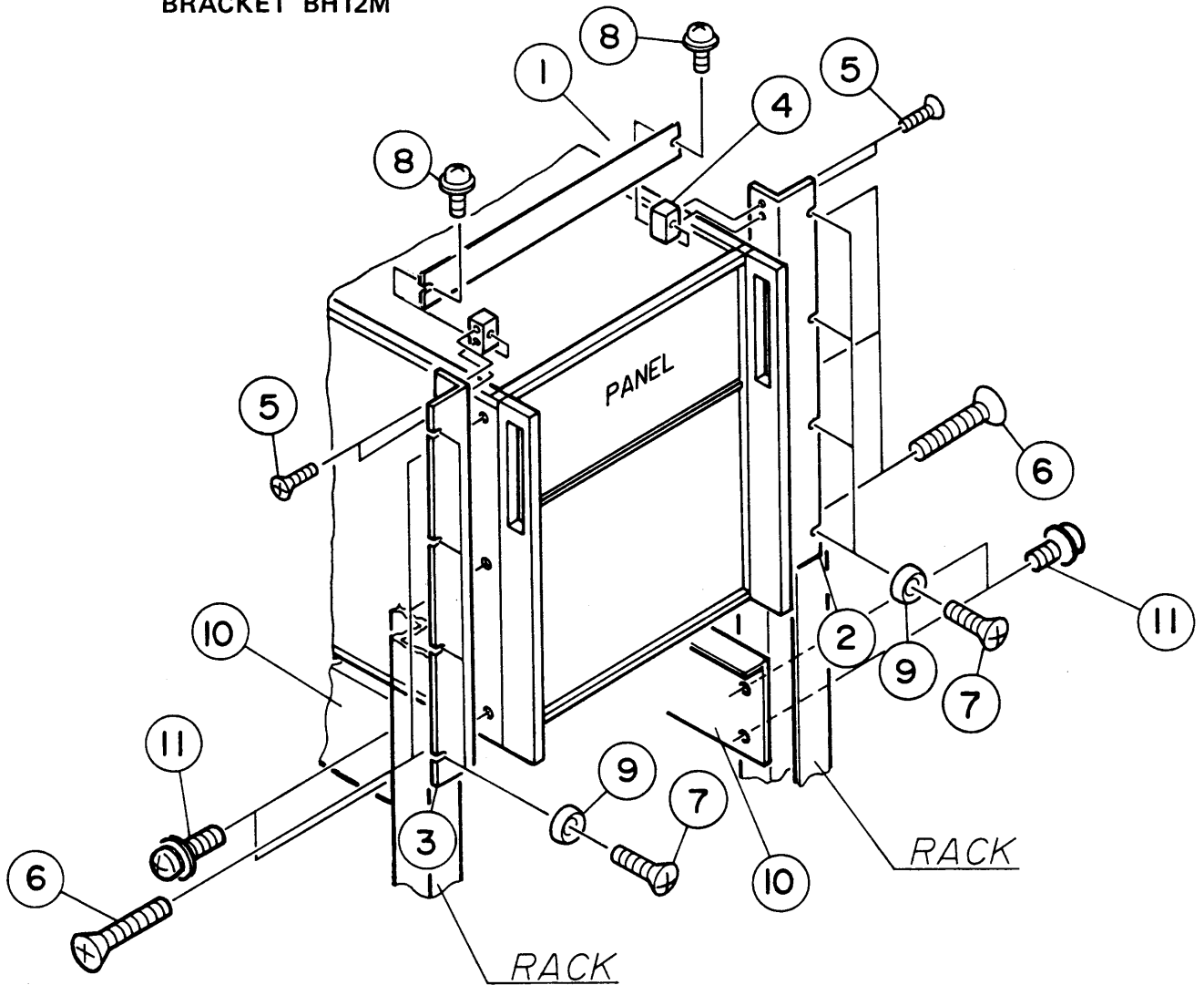


BRACKET BH12M



NO.	DESCRIPTION	QTY	CODE NO.
1	BRANK PANEL BH12M	1	A4-922-901
2	BRACKET RIGHT BH12M	1	D3-922-901
3	BRACKET LEFT BH12M	1	D3-922-902
4	STAY BH4M/BH12M	2	G8-912-601
5	SCREW,FLAT HEAD M3x0.5x8 S-ZN	4	M2-001-091
6	SCREW,FLAT HEAD M6x1x 25 S-ZN	6	M2-001-213
7	SCREW,OVAL HEAD M5x0.8x14 B-NI	8	M2-002-091
8	SCREW WITH PW M4x07x8 B-NI	2	M3-000-021
9	FINISHING WASHER 5CW	8	M5-003-031
10	STAY FOR BH12M	2	D3-922-903
11	SCREW WITH SW ,PW M5x0.8x10 S-ZN	8	M3-012-131